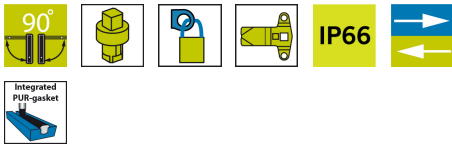


# VISION SWING HANDLE STANDARD TOOL OPERATED



Low profile swing handle with insert for cam. Available in turn-to-latch version where the door is locked by turning the key and push-to-latch version where the spring-loaded cam latches when the handle is pushed in.



## MATERIAL

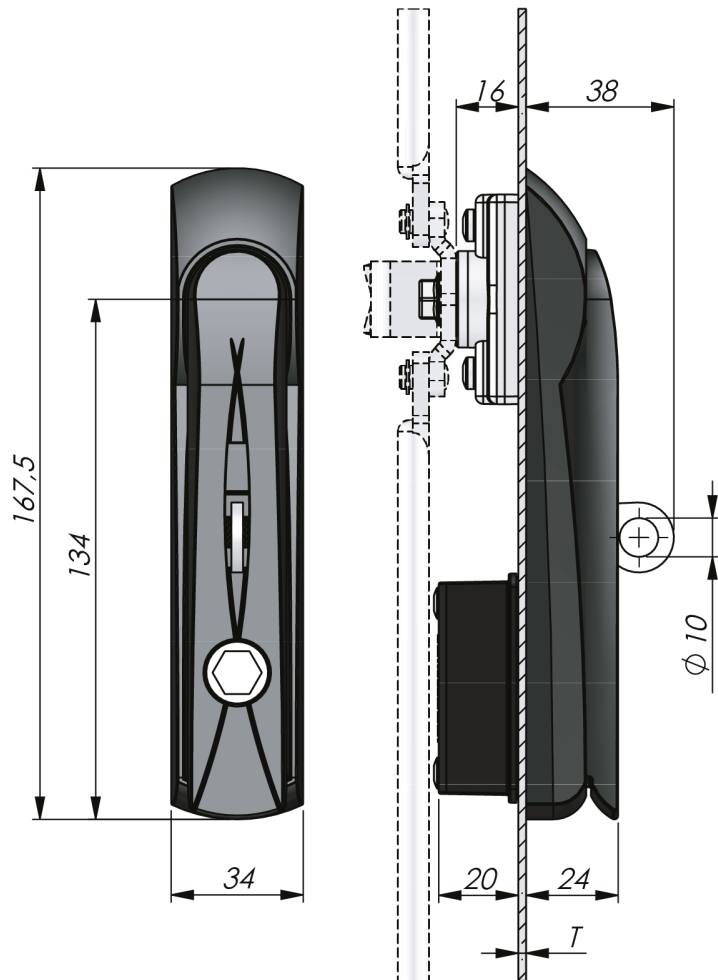
- Dish:** Zinc die cast, black coated or fibre glass reinforced polyamide (PA6GF30)
- Handle:** Zinc die cast, black coated or fibre glass reinforced polyamide (PA6GF30)
- Insert:** Zinc die cast, chrome plated
- Padlock loop:** Stainless steel 304
- Pivot shaft:** Zinc die cast, zinc plated

## RELATED PRODUCTS

- Cams:** 1-008.51, 2-480
  - Rods:** 2-540, 2-541, 2-545
  - Other materials:** 6-020
  - Keys:** 2-372, 2-370
  - Rod guides:** 2-560, 2-570
  - Rod adapters:** 2-541
  - Similar products:** 1-002.03
- Use the Index Code at [industrilas.com](http://industrilas.com)

## TECHNICAL INFORMATION

- Cutout:** Version C
- Standards:** IP66, NEMA 4



**Make your selections in each column to create your article number (AAAAAABCD-EEEEF)**

AAAAAA Material		B Opening rotation	C Door thickness T	D PDL	EEEE Insert	F Model
121611	Handle zinc / dish PA6	1 90° clockwise or counter-clockwise	1 0,8 - 1,5 mm	0 No	1301 Hexagon 11	0 Turn-to-latch
			2 1,6 - 2,5 mm	1 Yes	1308 Square 7	
121641	Handle zinc / dish zinc	2 90° counter-clockwise	3 2,6 - 3,5 mm			1309 Square 8
			125011	Handle PA6 / dish PA6		
1313 Triangular 8						
1316 Double Bit 3						
1317 Double Bit 5						
1320 Slotted						
1347 Recessed hex 8 / 3 mm pin						

PDL = Spring loaded padlock loop retracts when handle is released.

Version C

